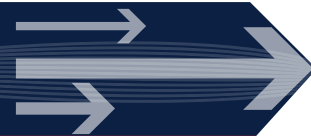


Metering Pumps



HRP Series

- High resolution/Ultra compact 4" x 2.5" x 3.5"
- Internal or external control
- IP65 waterproof and dustproof design
- DC voltage operation
- PVDF pump head with ceramic balls and FKM elastomers
- 4 types of control:
 - » pulse » 1-5 VDC
 - » 4-20mA » start/stop



Specifications

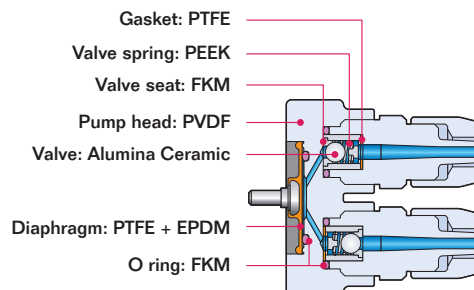
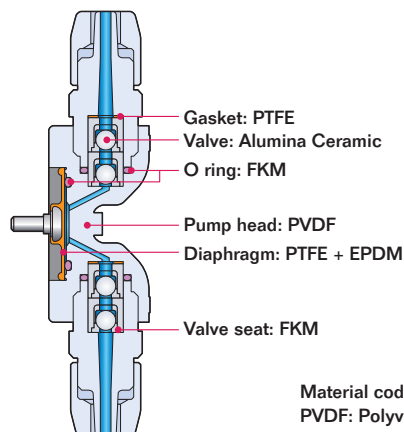
Model	Flow Rate ml/min	Max Discharge Pressure PSI (MPa)	Stroke rate spm	Tube connection	Power Voltage V	Power consumption W	Current A	Weight lbs (kg)
HRP-54V/H-1	0.055 - 38	29 (0.2)	0-720	1/8" x 1/4"	DC12	5.6	1.5	1.1 (0.5)
HRP-54V/H-2				3mm x 6mm 4mm x 6mm	DC24			

Liquid & ambient temperature 0 - 40°C

Allowable voltage deviation ±5% of rated voltage

Control type	Max Speed	Operation	Input signal
Pulse	720 spm	1 stroke per pulse (synchronous operation)	Dry contact or open collector
4-20mA	720 spm	4-20 mA proportional to 0-720 spm	Analog 4-20 mA DC
1-5VDC	720 spm	1-5 VDC proportional to 0-720 spm	Voltage 1-5 VDC (Current capacity of 25 mA or more)
Start/Stop	720 spm (fixed)	Pump stops during contact input	Dry contact or open collector

Materials



Material code
 PVDF: Polyvinylidene difluoride
 FKM: Fluorine-contained rubber
 PTFE: Polytetrafluoroethylene

WALCHEM

IWAKI America Inc.

Ordering Information

HRP 5 4 V - 1 P 1 - 00
 1 2 3 4 5 6 7 8

1 PUMP SERIES

2 DRIVE UNIT

Average power consumption 5 = 5.6W

3 DISCHARGE CAPACITY

4 = 38 mL/min

4 PUMP HEAD

V = Vertically oriented

H = Horizontally oriented

5 POWER VOLTAGE

1 = 12 VDC

2 = 24 VDC

6 CONTROL METHOD

P = Pulse

A = 4-20 mA

V = 1-5VDC

S = Start/stop

7 TUBE CONNECTION

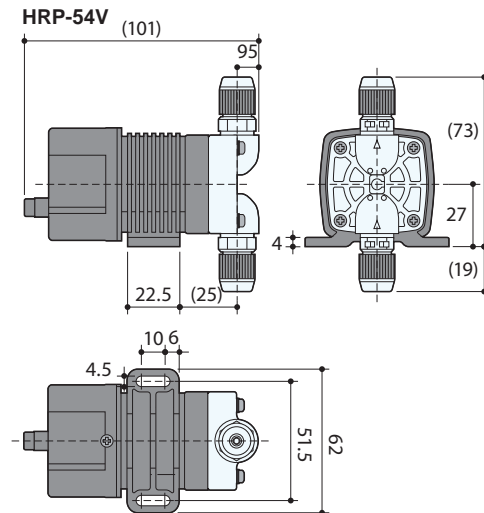
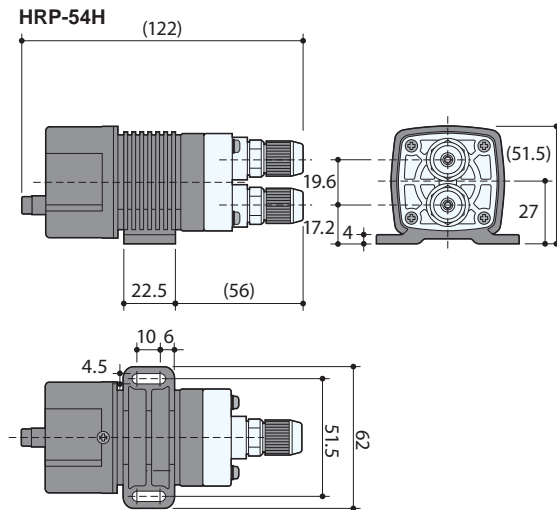
1 = 3mm x 6mm

2 = 4mm x 6mm

3 = 1/8" x 1/4"

8 SPECIAL VERSION

Dimensions



ABOUT US

Walchem integrates its advanced sensing, instrumentation, fluid pumping and communications technologies to deliver reliable and innovative solutions to the global water treatment market. Our in-house engineering is driven by quality, technology and innovation. For more information on the entire Walchem product line, visit: www.walchem.com

