

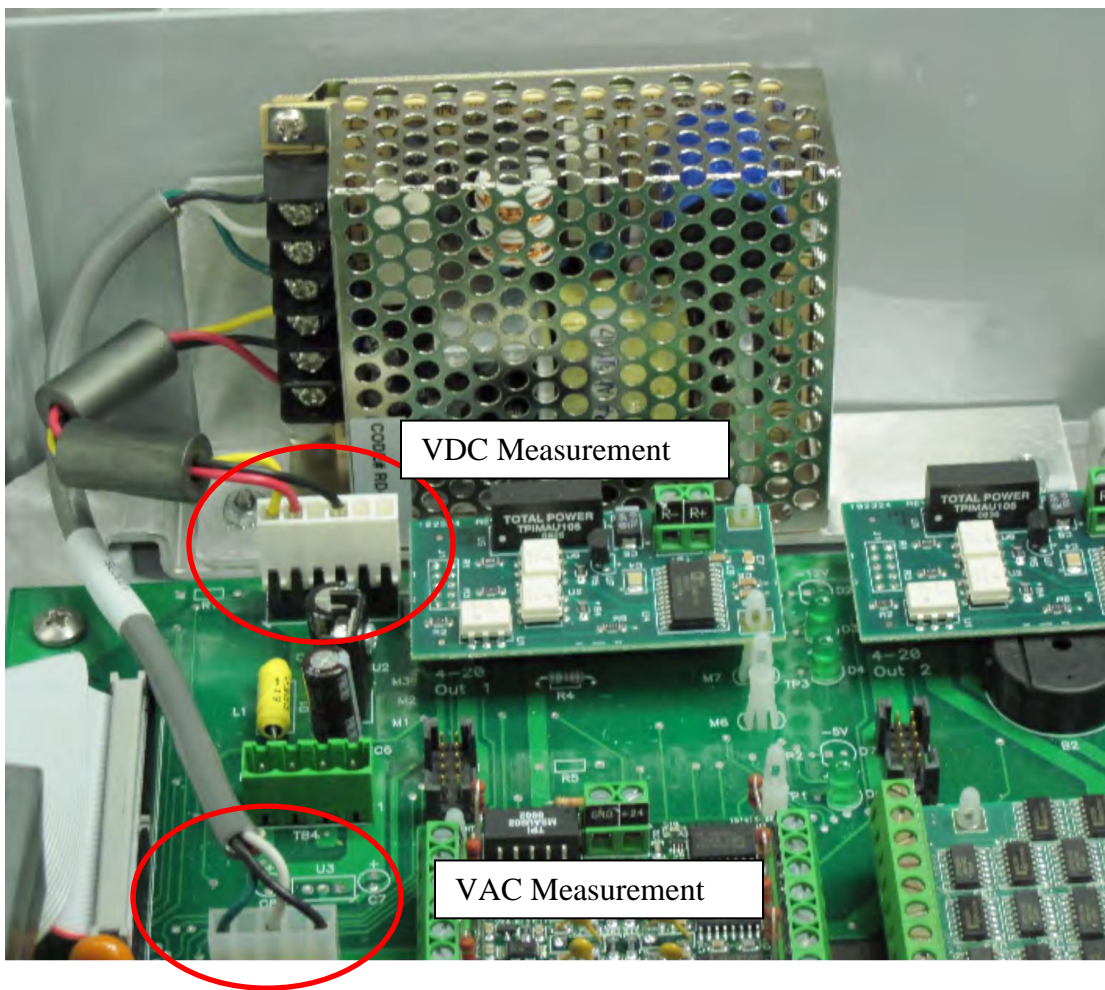


CAUTION: There are live circuits inside the controller even when the power switch is in the OFF position! Servicing and troubleshooting the controller must be performed by Qualified Service Personnel.

WM One - Power Supply Check

The purpose of this Troubleshooting Guide is to determine if the WM One power supply is providing the necessary VDC power to the controller based on the incoming VAC power.

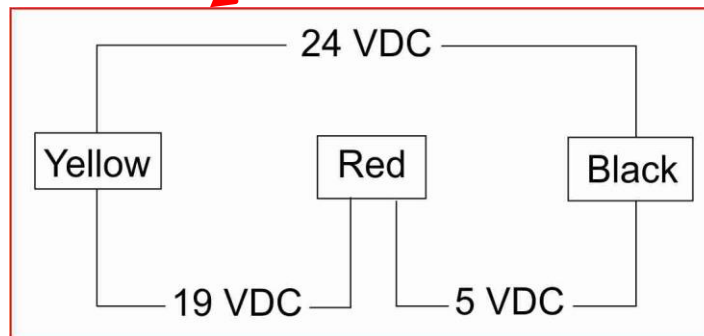
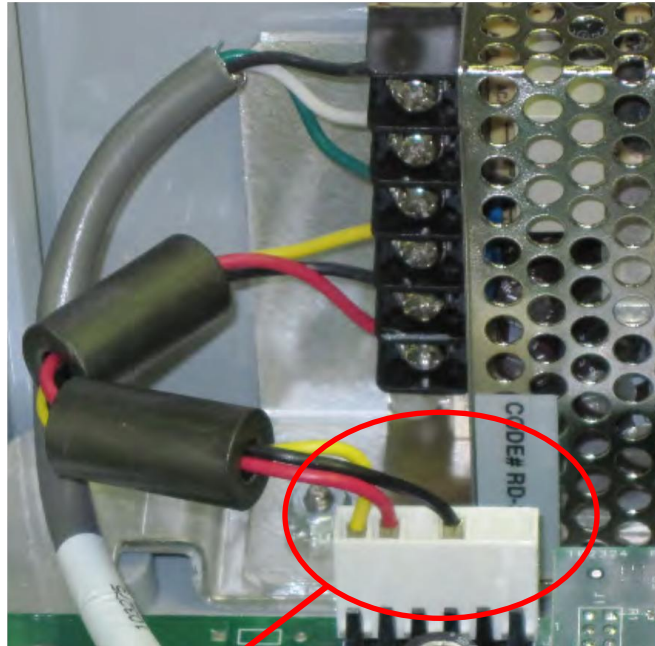
The photo below shows the 2 locations where the electrical measurements, VDC and VAC, are to be taken. Both connectors, circled in red, are attached to the relay board. The next several pages of this guide show a close-up detail of these areas.





CAUTION: There are live circuits inside the controller even when the power switch is in the OFF position! Servicing and troubleshooting the controller must be performed by Qualified Service Personnel.

This electrical check is to verify the Power Supply VDC

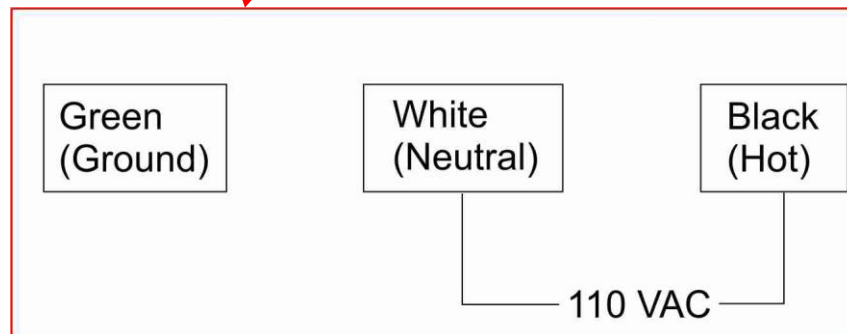


With the multimeter set to VDC, the multimeter leads should be placed into the white connector as if they are following the wires into the connector. Do not use force, merely make contact with the exposed metal end of the wires.



CAUTION: There are live circuits inside the controller even when the power switch is in the OFF position! Servicing and troubleshooting the controller must be performed by Qualified Service Personnel.

This electrical check is to verify the Power Supply VAC



With the multimeter set to VAC, the multimeter leads should be placed into the white connector as if they are following the wires into the connector. Do not use force, merely make contact with the exposed metal end of the wires.