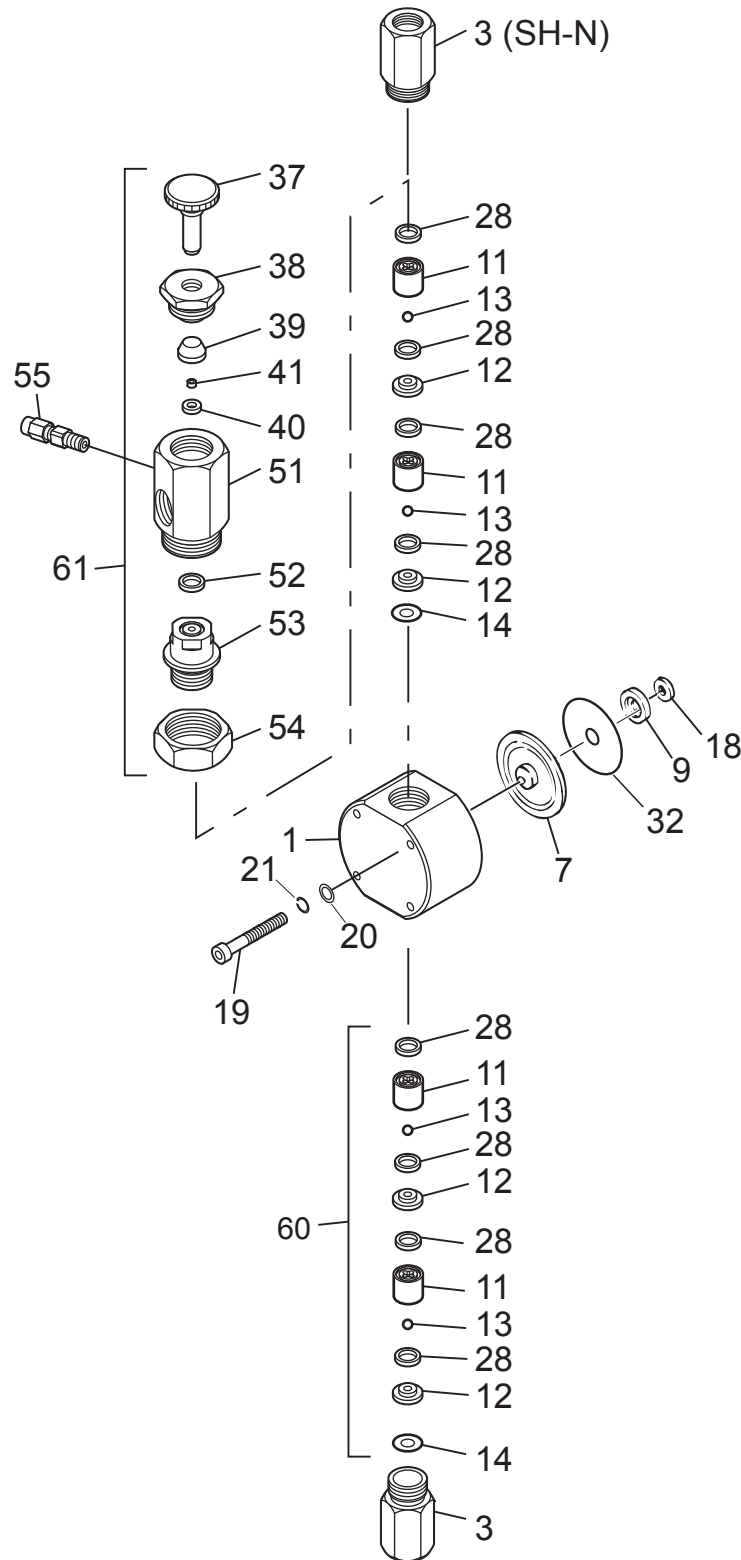


EWN/EK/EJ 11-36 SH/SH-N Exploded View

W A L C H E M

IWAKI America Inc.



EWN/EK/EJ 11-36 SH/SH-N Components

Item	Part#	Description	Qty	Material	Size	Liquid End Material
1	EH2021	Pump Head	1	316SS	B11	SH, SH-N
	EH2371		1	316SS	B11-H	SH-H, SH-HN, SH-H2
	EH2176		1	316SS	B16 / C16 / C16-H	SH, SH-H, SH-N, SH-HN
	EH2022		1	316SS	B21 / C21	SH, SH-N
	EH2023		1	316SS	B31 / C31	SH, SH-N
	EH2024		1	316SS	C36	SH, SH-N
3	EH0429	Housing, Valve	1	316SS	B11,16,21 / C16,21 / B11-H / C16-H	SH, SH-H, SH-H2
	EH0429		2	316SS	B11,16,21 / C16,21 / B11-H / C16-H	SH-N, SH-HN
	EH0433		1	316SS	B31 / C31,36	SH
	EH0433		2	316SS	B31 / C31,36	SH-N
*7	EH1971	Diaphragm	1	PTFE+EPDM	B11 / B11-H	SH, SH-H, SH-N, SH-HN, SH-H2
	EH1972		1	PTFE+EPDM	B16 / C16 / C16-H	SH, SH-H, SH-N, SH-HN
	EH1973		1	PTFE+EPDM	B21 / C21	SH, SH-N
	EH1974		1	PTFE+EPDM	B31 / C31	SH, SH-N
	EH1975		1	PTFE+EPDM	C36	SH, SH-N
*9	EH0059	Retainer	1	PPS+GF	B11	SH, SH-N
	EH0083		1	PPS+GF	B16 / C16	SH, SH-N
	EH0067		1	PPS+GF	B21 / C21	SH, SH-N
	EH0087		1	PPS+GF	B31 / C31	SH, SH-N
	EH0158		1	PPS+GF	C36	SH, SH-N
	EH0751		1	316SS	B11-H	SH-H, SH-HN, SH-H2
	EH0755		1	316SS	C16-H	SH-H, SH-HN
11	EH0360	Guide, Valve	4	316SS	B11	SH, SH-N
	EH1551		4	316SS	B16,21 / C16,21 / C16-H	SH, SH-H, SH-N, SH-HN
	EH1552		4	316SS	B31 / C31,36	SH, SH-N
	EH2372		4	316SS	B11-H	SH-H, SH-HN, SH-H2
12	EH1554	Seat, Valve	4	316SS	B11 / B11-H	SH, SH-H, SH-N, SH-HN, SH-H2
	EH1555		4	316SS	B16,21 / C16,21 / C16-H	SH, SH-H, SH-N, SH-HN
	EH1556		4	316SS	B31 / C31,36	SH, SH-N
13	EH0049	Ball, Valve	4	HC	B11 / B11-H	SH, SH-H, SH-N, SH-HN, SH-H2
	EH0072		4	HC	B16,21 / C16,21 / C16-H	SH, SH-H, SH-N, SH-HN
	EH0126		4	HC	B31 / C31,36	SH, SH-N
*14	EH0362	Gasket, Valve Housing	2	PTFE	B11,16,21 / C16,21 / B11-H / C16-H	SH, SH-H, SH-N, SH-HN, SH-H2
	EH0380		2	PTFE	B31 / C31,36	SH, SH-N
19	EH2089	Bolt, Hex Socket	4	M4x45	B11,16,21,31 / C16,21 / B11-H / C16-H	SH, SH-H, SH-N, SH-HN, SH-H2
	EH2090		4	M5x45	C-31,36	SH, SH-N
20	EH1999	Washer, Plate, M4	4	316SS	B11,16,21,31 / C16,21 / B11-H / C16-H	SH, SH-H, SH-N, SH-HN, SH-H2
	EH2011	Washer, Plate, M5	4	316SS	C-31,36	SH, SH-N
21	EH2000	Washer, Split, M4	4	316SS	B11,16,21,31 / C16,21 / B11-H / C16-H	SH, SH-H, SH-N, SH-HN, SH-H2
	EH2012	Washer, Split, M5	4	316SS	C-31,36	SH, SH-N
*28	EH0365	Gasket, Valve	8	PTFE	B11,16,21 / C16,21 / B11-H / C16-H	SH, SH-H, SH-N, SH-HN, SH-H2
	EH0382		8	PTFE	B31 / C31,36	SH, SH-N
*32	EH0752	Gasket, Diaphragm/Retainer	1	PTFE	B11-H / C16-H	SH-H, SH-HN, SH-H2
37	EH1014	Knob, MAVV	1	316SS	B11,16,21,31 / C16,21,31,36 / B11-H / C16-H	SH, SH-H, SH-H2
38	EH1015	Nut, Knob, MAVV	1	316SS	B11,16,21,31 / C16,21,31,36 / B11-H / C16-H	SH, SH-H, SH-H2
*39	EH1016	Seal Ring, MAVV	1	PTFE	B11,16,21,31 / C16,21,31,36 / B11-H / C16-H	SH, SH-H, SH-H2
*40	EH1017	Seat, MAVV	1	PTFE	B11,16,21,31 / C16,21,31,36 / B11-H / C16-H	SH, SH-H, SH-H2
*41	EH1018	Seat Ring, MAVV	1	316SS	B11,16,21,31 / C16,21,31,36 / B11-H / C16-H	SH, SH-H, SH-H2
51	EH1508	Body, MAVV	1	316SS	B11,16,21 / C16,21 / B11-H / C16-H	SH, SH-H, SH-H2
	EH1510		1	316SS	B31 / C31,36	SH
*52	EH0365	Valve gasket	1	PTFE	B11,16,21,31 / C16,21,31,36 / B11-H / C16-H	SH, SH-H, SH-H2
53	EH1557	Fitting, MAVV	1	316SS	B11,16,21 / C16,21 / B11-H / C16-H	SH, SH-H, SH-H2
	EH1558		1	316SS	B31 / C31,36	SH
54	EH1559	Lock Nut, MAVV	1	316SS	B11,16,21,31 / C16,21,31,36 / B11-H / C16-H	SH, SH-H, SH-H2
55	EH1517	Connector, 1/4"Tx1/8"RC	1	ECTFE	B11,16,21,31 / C16,21,31,36 / B11-H / C16-H	SH, SH-H, SH-H2
18	-----	Brass Spacers	--	Brass	Drive Specific. Reuse with Dia. change	ALL

* Parts Included in the Spart Parts Kits

P/N 180649.C 1/18/2017