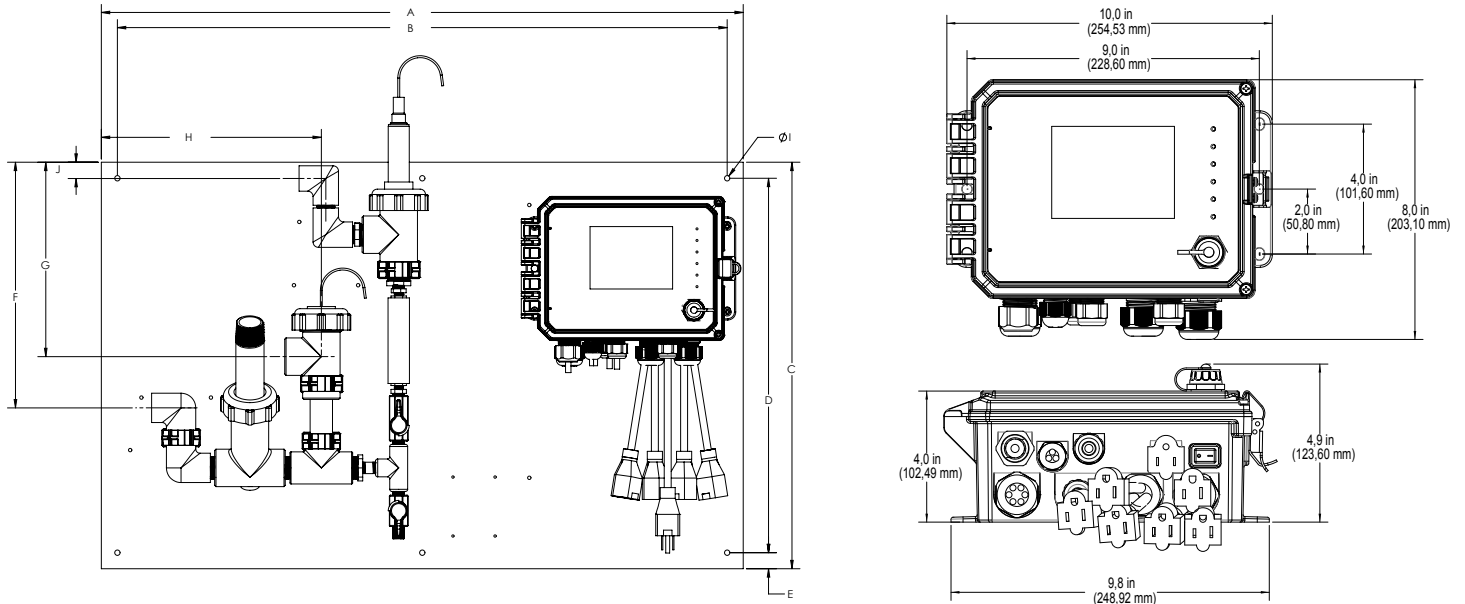


# Dimensions

## Panel Mounted Flow Switch Manifold Dimensions



## Panel Mounted Flow Switch Manifold Dimensions

W600	A	B	C	D	E	F	G	H	I	J
Tolerances:	+/- 0.1" (2.5 mm)					+/- 0.3" (8 mm)			+/- 0.01" (0.25 mm)	+/- 0.3" (8 mm)
W600-CT-BN/FN	13" (330 mm)	12" (305 mm)	11.75" (298 mm)	10.75" (273 mm)	0.5" (12.7 mm)	7" (178 mm)	2" (51 mm)	1.5" (38 mm)	0.25" (6.35 mm)	
W600-CT-BA, BB, BC, FA, FB, FC	22.5" (571 mm)	21.5" (546 mm)	11.75" (298 mm)	10.75" (273 mm)	0.5" (12.7 mm)	4" (102 mm)	1.5" (38 mm)	11" (279 mm)		
W600-CT-BD, FD, BK	24" (610 mm)	22.5" (571 mm)	19" (483 mm)	17.5" (445 mm)	.75" (19 mm)	14" (356 mm)	7" (178 mm)	6.8" (173 mm)		
W600-CT-BQ, FQ, BU	24" (610 mm)	22.5" (571 mm)	19" (483 mm)	17.5" (445 mm)	.75" (19 mm)	14" (356 mm)	5" (127 mm)	6.8" (173 mm)		
W600-CT-BH, BI, BJ, FH, FI, FJ	24" (610 mm)	22.5" (571 mm)	19" (483 mm)	17.5" (445 mm)	.75" (19 mm)	10" (254 mm)	5.5" (140 mm)	8.5" (216 mm)		
W600-CT-BR, BS, BT, FR, FS, FT	24" (610 mm)	22.5" (571 mm)	19" (483 mm)	17.5" (445 mm)	.75" (19 mm)	10" (254 mm)	5" (127 mm)	8.5" (216 mm)		
W600-CT-DN	22.5" (571 mm)	21.5" (546 mm)	11.75" (298 mm)	10.75" (273 mm)	0.5" (12.7 mm)	7" (178 mm)	7" (178 mm)	10" (254 mm)		
W600-CT-DE/DF	22.5" (571 mm)	21.5" (546 mm)	11.75" (298 mm)	10.75" (273 mm)	0.5" (12.7 mm)	4" (102 mm)	2" (51 mm)	110" (254 mm)		
W600-CT-HN	24" (610 mm)	22.5" (571 mm)	19" (483 mm)	17.5" (445 mm)	0.75" (19 mm)	14" (356 mm)	6" (152 mm)	3" (76 mm)		
W600-CT-HA, HB, HC	24" (610 mm)	22.5" (571 mm)	19" (483 mm)	17.5" (445 mm)	0.75" (19 mm)	11" (279 mm)	6" (152 mm)	3" (76 mm)		
W600-CT-HD, HK	24" (610 mm)	22.5" (571 mm)	19" (483 mm)	17.5" (445 mm)	0.75" (19 mm)	14.75" (375 mm)	8" (203 mm)	6.5" (165 mm)		
W600-CT-HH, HI, HI	24" (610 mm)	22.5" (571 mm)	19" (483 mm)	17.5" (445 mm)	0.75" (19 mm)	11.75" (298 mm)	8" (203 mm)	6.5" (165 mm)		
W600-CT-HQ, HU	24" (610 mm)	22.5" (571 mm)	19" (483 mm)	17.5" (445 mm)	0.75" (19 mm)	14.75" (375 mm)	6.5" (165 mm)	6.5" (165 mm)		
W600-CT-HR, HS, HT	24" (610 mm)	22.5" (571 mm)	19" (483 mm)	17.5" (445 mm)	0.75" (19 mm)	11.75" (278 mm)	6.5" (165 mm)	6.5" (165 mm)		
W600-PH-PN/PX	22.5" (571 mm)	21.5" (546 mm)	11.75" (298 mm)	10.75" (273 mm)	0.5" (12.7 mm)	4" (102 mm)	1.5" (38 mm)	11" (279 mm)		
W600-PH-QN/QX	22.5" (571 mm)	21.5" (546 mm)	11.75" (298 mm)	10.75" (273 mm)	0.5" (12.7 mm)	7" (178 mm)	4" (102 mm)	1.5" (38 mm)		
W600-DS-PN	22.5" (571 mm)	21.5" (546 mm)	11.75" (298 mm)	10.75" (273 mm)	0.5" (12.7 mm)	11" (279 mm)	7.5" (191 mm)	3" (76 mm)	0" (0 mm)	
W600-DS-PX	24" (610 mm)	22.5" (571 mm)	19" (483 mm)	17.5" (445 mm)	0.75" (19 mm)	11.5" (292 mm)	9" (229 mm)	10" (254 mm)	0.75" (19 mm)	