

MA-102S

Submersible Adapter for Pyxis ST Series Probes

The Pyxis ST-500 and ST-700 series probes can be installed in a submerged format by using the Submersible Adapter Pipe Assembly MA-102S. The MA-102S adapter as seen in figure 1 below can be used to extend submersion depth by a 1.5-inch schedule 80 pipe. An example of installation is shown in figure 2. Please note that MA-102S does not include any PVC components other than those shown in figure 1.

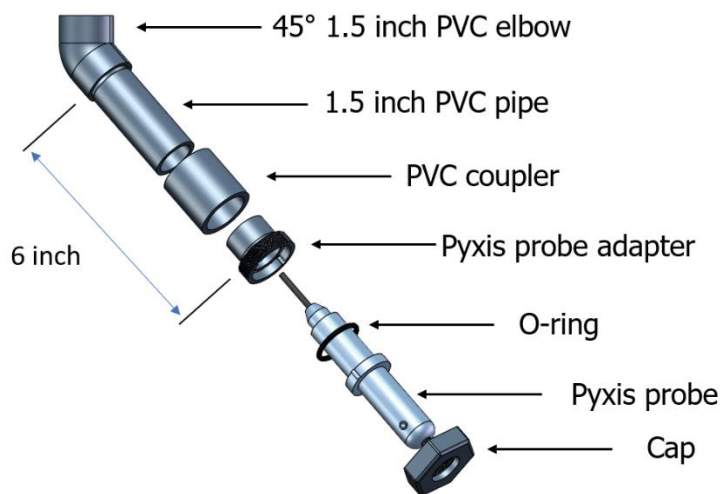


Figure 1. Pipe assembly for submersible installation of Pyxis probes

Ordering Information

MA-102S, Submersible Installation Adapter ST Series Probes

P/N: 50732

Accessories

MA-C10, 10 ft Extension Cable

P/N: MA-C10

MA-C50, 50 ft Extension Cable

P/N: MA-C50

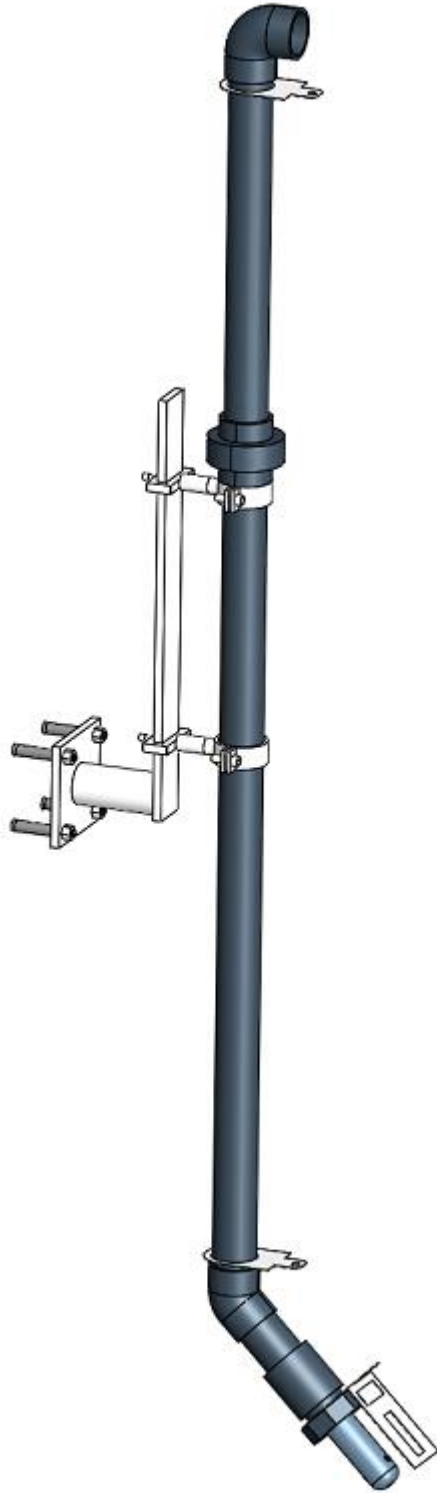


Figure 2. Example of installation