

GUARANTEED PROTECTION!

SENTINEL DIAPHRAGM SEALS

Unconditionally **GUARANTEED**
for three years!

*Blacoh **GUARANTEES** its Sentinel Diaphragms and Seal bodies for three years from the date of purchase. If any failure occurs, Blacoh will replace your Diaphragm Seal at no cost to you!

(Guarantee does not apply to gauges or custom models)


SENTINEL
DIAPHRAGM SEALS

SENTINEL DIAPHRAGM SEAL ▶
Available in a variety of chemically resistant plastics and metals

▲ **SENTINEL DIAPHRAGM SEAL**
Protect & isolate all forms of system instrumentation from hazardous and corrosive process fluids

SENTINEL FLOW THRU ▶
Prevents clogging of viscous process fluids

◀ **SENTINEL "REVOLUTION"**
All CPVC construction and threaded housings are ideal for corrosive environments

NEW

USE A DIAPHRAGM SEAL TO:

- Protect & isolate all forms of system instrumentation from hazardous and corrosive process fluids
- Ensure gauge and switch accuracy
- Smooth out erratic pressure surges
- Extend the life of pressure instrumentation
- Protect gauges from freezing and slurries
- Receive accurate and consistent readings when working with corrosive or solids-laden fluids
- Replace expensive gauges with low cost utility gauges

SENTINEL FEATURES:

- Three year guarantee on diaphragms & seal bodies
- Accuracy of $\pm 2\%$ full deflection or better
- Pressure ranges up to 1000 PSI (68.95 BAR)
- 1/4" (6.35 mm) up to 3/4" (19.05 mm) inlet ports
- All standard models available from stock
- Bodies available in a full range of chemically resistant materials
- Custom models available

(800) 603-7867
www.Blacoh.com

BLACOH
FLUID CONTROL

Member of
Hydraulic
INSTITUTE



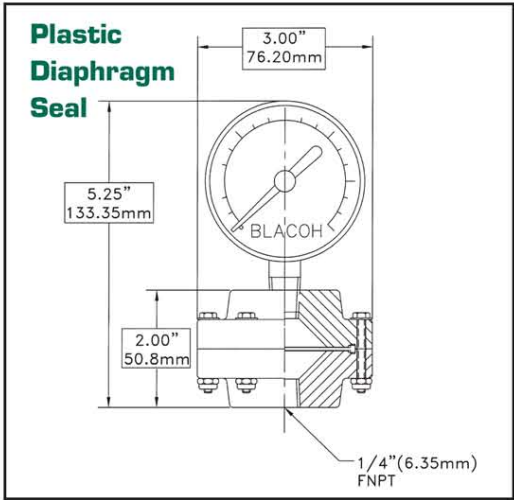
SENTRY
PULSATION DAMPENERS

SENTINEL
DIAPHRAGM SEALS

SPILL STOP
LEAK CONTAINMENT



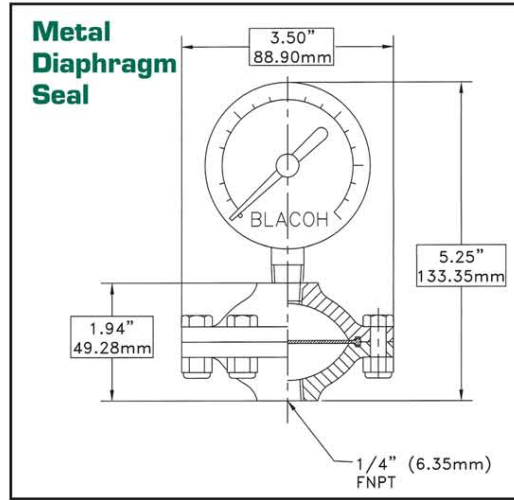
SENTINEL DIAPHRAGM SEALS



Plastic Diaphragm Seal

BODY MATERIALS:
POLYPROPYLENE
PVC
PVDF

DIAPHRAGM MATERIALS:
PTFE
EPDM
VITON

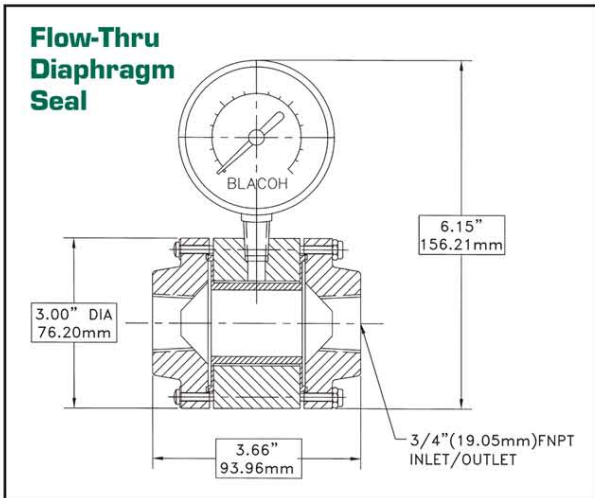


Metal Diaphragm Seal

BODY MATERIALS:
316 STAINLESS STEEL

DIAPHRAGM MATERIALS:
PTFE
EPDM
VITON

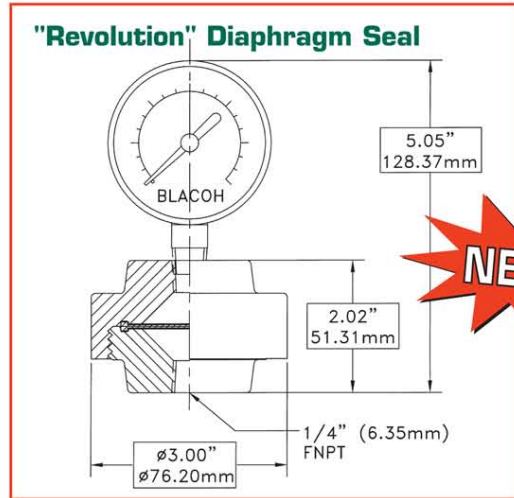
* ALLOY 20 & HASTELLOY C available upon request.



Flow-Thru Diaphragm Seal

BODY MATERIALS:
PVC
POLYPROPYLENE

TUBE DIAPHRAGM MATERIALS:
EPDM
VITON



"Revolution" Diaphragm Seal

BODY MATERIALS:
CPVC

DIAPHRAGM MATERIALS:
PTFE
EPDM
VITON

Please call your local distributor:



Call for your **FREE** Demonstration CD

BLACOH
FLUID CONTROL

601 Columbia Ave., Bldg. D, Riverside, CA 92507 • USA
Tel: (800) 603-7867 or (951) 342-3100 • Fax: (951) 342-3101
E-mail: sales@blacoh.com • Website: www.blacoh.com