

MA-120-B

Pyxis Fixed Submersion Adapter Reference Guide

Introduction

Pyxis Lab offers two advanced adapter kits specifically designed to enable floating and fixed submersion applications. This document provides a brief description of the MA-120-B Fixed Submersion Adapter Kit as well as diagram review of components both included and non-included for the purposes of installation.

MA-120-B Fixed Submersion Adapter Kit (P/N 53783)

MA-120-B Submersed Fixed Installation: The ST-772 (304SS) and ST-772-P (CPVC) Dissolved Oxygen Sensors may be installed in a submersed/fixed application using the MA-120-B Submersion Adapter Mounting Bracket and probe adapter coupler in 1.5 to 1.0" FNPT. For use of the MA-120-B with Standard Pyxis sensors (non-threaded) users must purchase separately the MA-102S union style submersion adapter as outlined in the "Important Notes" section of this document. Users should obtain water-tight conduit and cable seal adapter from their supplier of choice as these items are commonly available and not provided in the MA-120-B kit. For sensor replacement and maintenance, users only need to pull the MA-120-B and DO sensor from the sliding block vertically (upwards). The supporting structure of MA-120-B remains fixed/bolted in place.

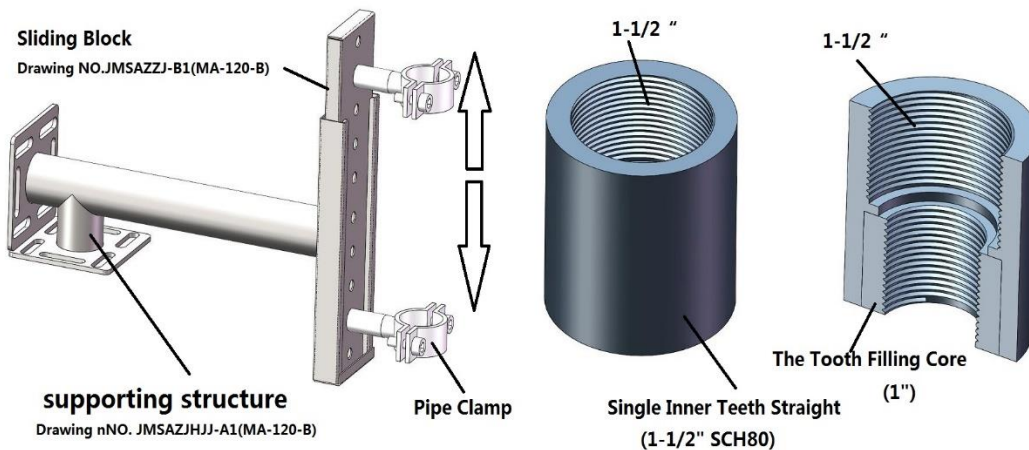
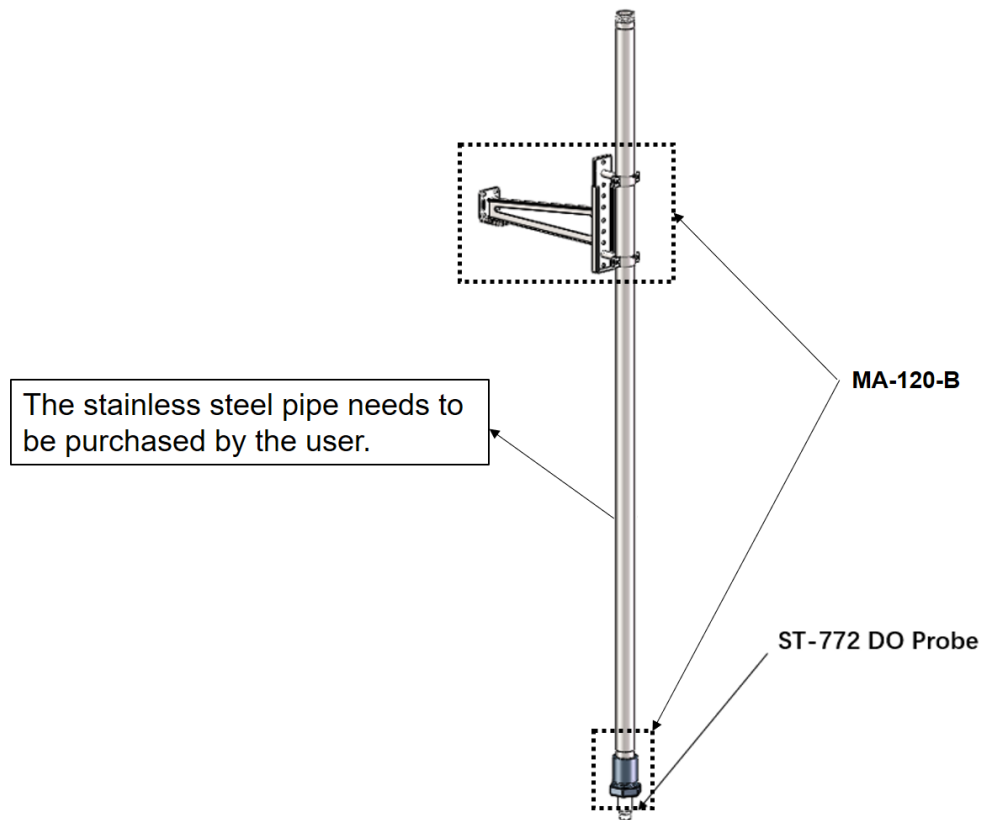


Figure 1 – MA-120-B Fixed Submersion Adapter Kit (P/N 53783)

MA-120-B Typical Installation Diagram



MA-120-B Important Notes

- MA-120-B does not include watertight conduit or cable seal adapter for conduit exit.
- Pyxis recommends 304SS or SCH-80 CPVC conduit for aggressive water applications.
- Sensor cable existing conduit must remain watertight. Sealed cable adapter or conduit cap with Rubber Silicone are commonly used.
- MA-120-B provides 1.5" Pipe Clamps for holding watertight conduit.
- For use with standard (non-threaded) Pyxis sensors, MA-102S adapter is required. Contact Pyxis Lab for details.