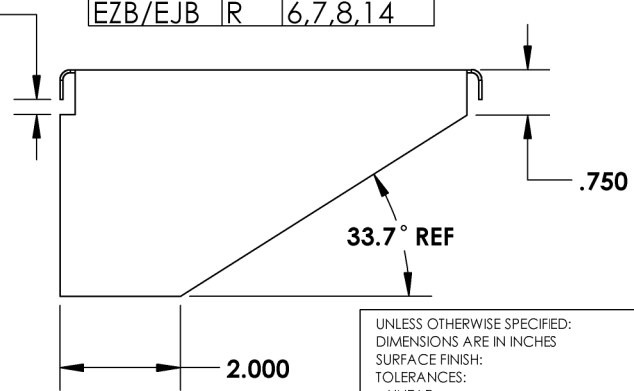
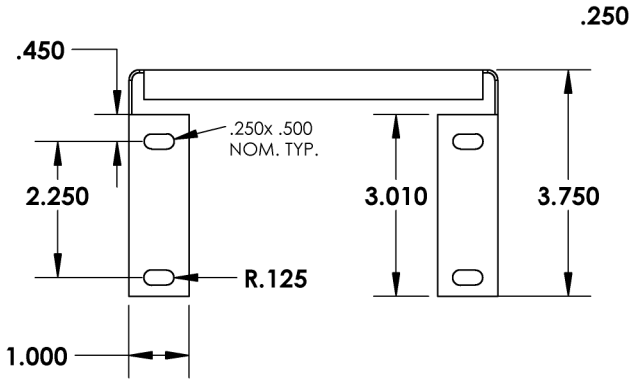


		HOLES
EHE	L/R	1,2,11,12
EK	L/R	4,5,8,9
EZC	L/R	4,5,8,9
EW(N)	L	4,5,10,14
EW(N)	R	3,13,8,9
EZB/EJB	L	4,6,7,13
EZB/EJB	R	6,7,8,14


HOLE #	X LOC	Y LOC
1	5.313	.896
2	5.313	6.092
3	4.875	1.936
4	4.247	1.542
5	4.247	5.479
6	3.063	1.542
7	3.063	5.006
8	1.900	1.542
9	1.900	5.479
10	1.131	1.936
11	.813	.896
12	.813	6.092



UPDATE PUMP DESCRIPTIONS
 NEW HOLE LAYOUT
 DELETED 4 HOLES
 CHANGE "A" DIM FOR HOLES

C
 B
 A2
 A1

- NOTES:
- MATERIAL TO BE BRUSHED 18-8 S.S.
.040-.060 THICK
 - ALL TABS TO .49-.51 UNLESS NOTED
 - INSIDE RADII OF ALL BENDS TO BE 125 NOMINAL.
 - ALL HOLES LOCATED TO CENTER
 - ALL DIAMETERS .250"
 - ALL DIMENSIONS +/- 0.01

UNLESS OTHERWISE SPECIFIED: DIMENSIONS ARE IN INCHES SURFACE FINISH: TOLERANCES: LINEAR: ANGULAR:		DO NOT SCALE DRAWING	REVISION	C
DATE: 12/4/2013 DRAWN BY: CDR				
MATERIAL: 18-8 S.S.				
TITLE: BRACKET, WALL MOUNT, METERING PUMPS		DWG NO. E00070		
SCALE: 1:3		SHEET 1 OF 1		