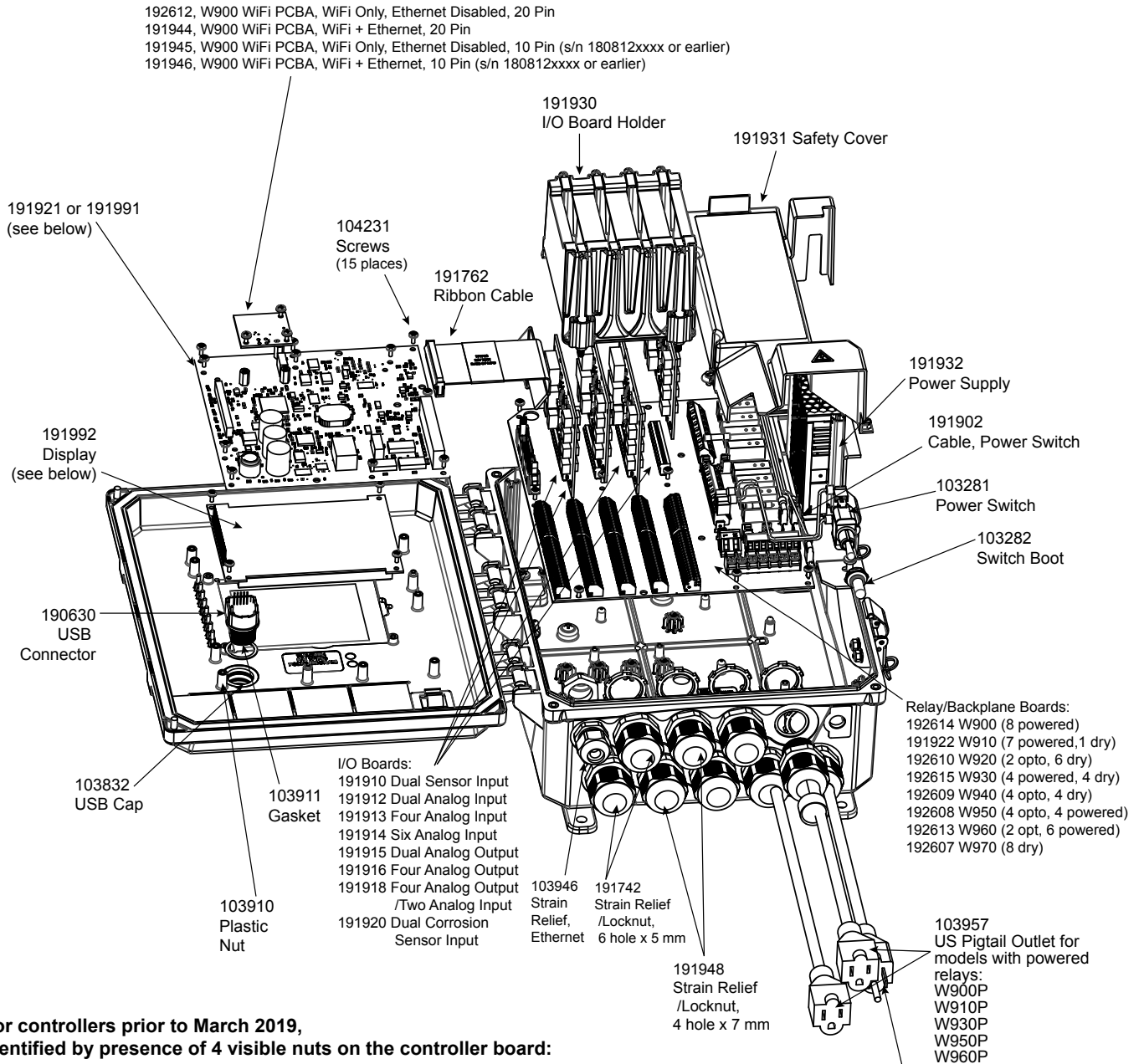


9.0 Spare Parts Identification



For controllers prior to March 2019, identified by presence of 4 visible nuts on the controller board:

Order 191921 Controller Board + Display. If also using WiFi, order a new 20-pin WiFi card.
 191921-WA-CT-N Cooling tower
 191921-WA-BL-N Boiler
 191921-WA-IN-N Industrial
 Change -N to -M for Modbus or BACnet

For controllers after to March 2019, identified by absence of 4 visible nuts on the controller board:

191992 Display may be ordered separately from the controller board.
 Order 191991 Controller Board. If also using WiFi, that card may be re-used.
 191991-WA-CT-N Cooling tower
 191991-WA-BL-N Boiler
 191991-WA-IN-N Industrial
 Change -N to -M for Modbus or BACnet

103955 US Power Cord for W9x0P or
 104147 DIN Power Cord for W9x0D or
 104148 Brazil Power Cord for W9x0B

Controller Parts