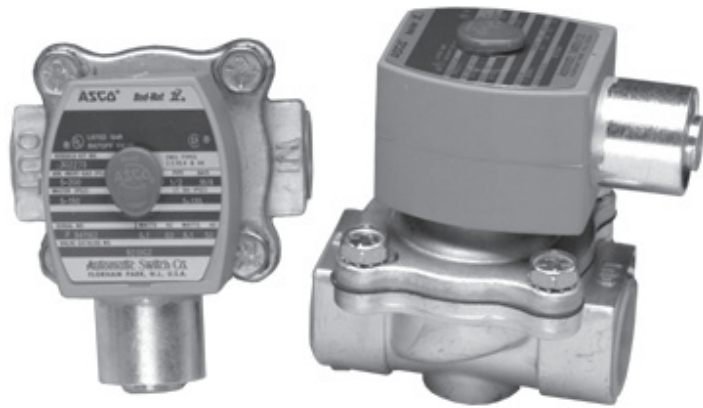


Solenoid Valves



Cooling Tower Bleed Applications

Epoxy encapsulated solenoid valves for cooling tower and boiler applications

KEY BENEFITS

- Epoxy Encapsulated Solenoid
- Normally Closed Operation
- May Be Mounted In Any Position
- 1/2", 3/4" and 1" Sizes

SPECIFICATIONS

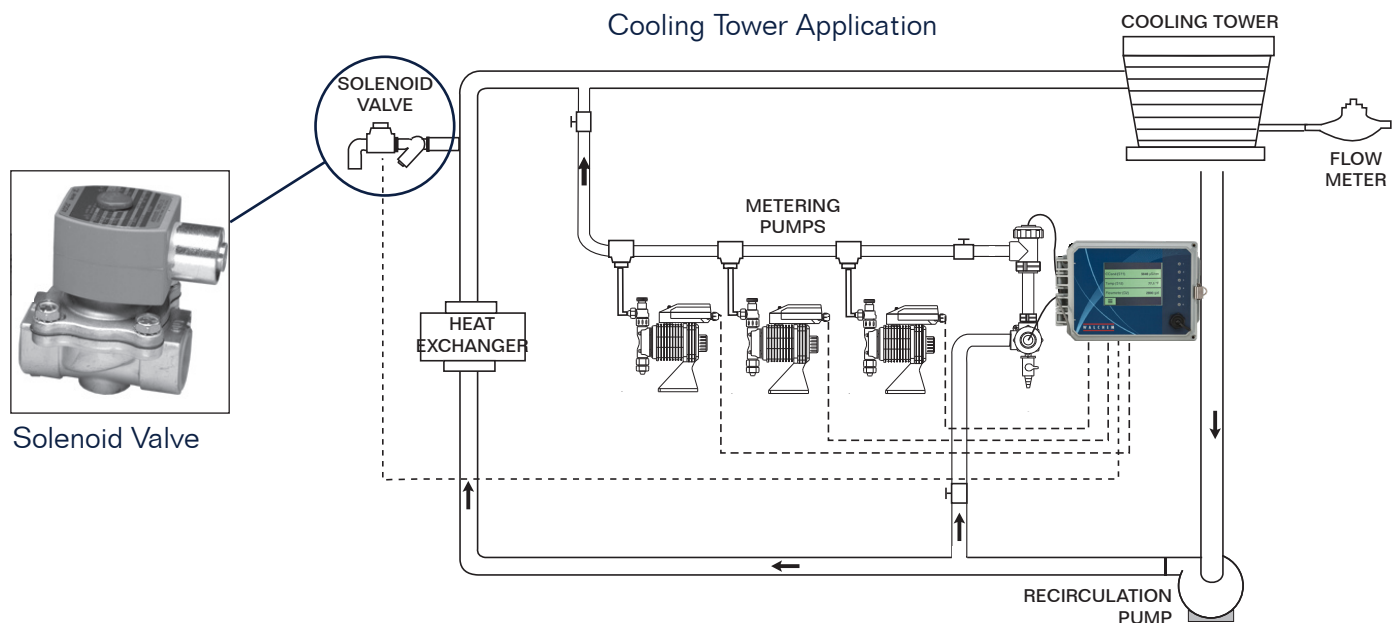
Power: 115 VAC, 50/60 H 0.1Amps maximum

Pressure: 5 psi minimum - 150 psi maximum

Materials of Construction: Brass Body: Buna - N seat

Ambient Temperature: -40 to 104°F (-40 to 40°C)

Fluid Temperature: 180° F (82°C) maximum

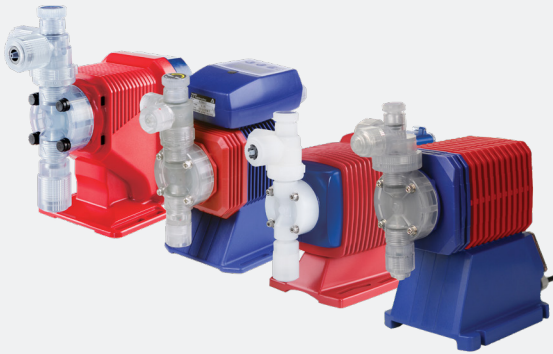


W A L C H E M

IWAKI America Inc.

ORDERING INFORMATION

Part Number	Plumbing	Dimensions
102014	1/2" NPTF	3 1/4" (L) x 3" (W) x 33/8" (H)
102013	3/4" NPTF	3 1/2" (L) x 3 1/4" (W) x 3 3/4" (H)
102012	1" NPTF	4" (L) x 3 3/4" (W) x 5 3/4" (H)



METERING PUMPS

Walchem and Iwaki have combined their talents, designing an innovative and comprehensive metering pump product line to satisfy any application. With over 50 years of pump sales and experience in an array of different markets, the Iwaki-Walchem partnership leverages our strengths and evolution to exceed even our toughest customer expectations. Committed to new product development, Iwaki-Walchem pumps continuously to merge quality, reliability, and technology.

CONTROLLERS

Walchem controllers include the W900, W600, W100 and the P100. Unparalleled versatility and powerful programming for complete control of chemical metering pumps and valves in a broad range of water treatment applications.



W A L C H E M

IWAKI America Inc.

About Us

Walchem integrates its advanced sensing, instrumentation, fluid pumping and communications technologies to deliver reliable and innovative solutions to the global water treatment market. Our in-house engineering is driven by quality, technology and innovation. For more information on the entire Walchem product line, visit: www.walchem.com.

180169.G June 2021

Walchem, Iwaki America Inc.

Five Boynton Road Hopping Brook Park | Holliston, MA 01746 USA | Phone 508-429-1110 | walchem.com