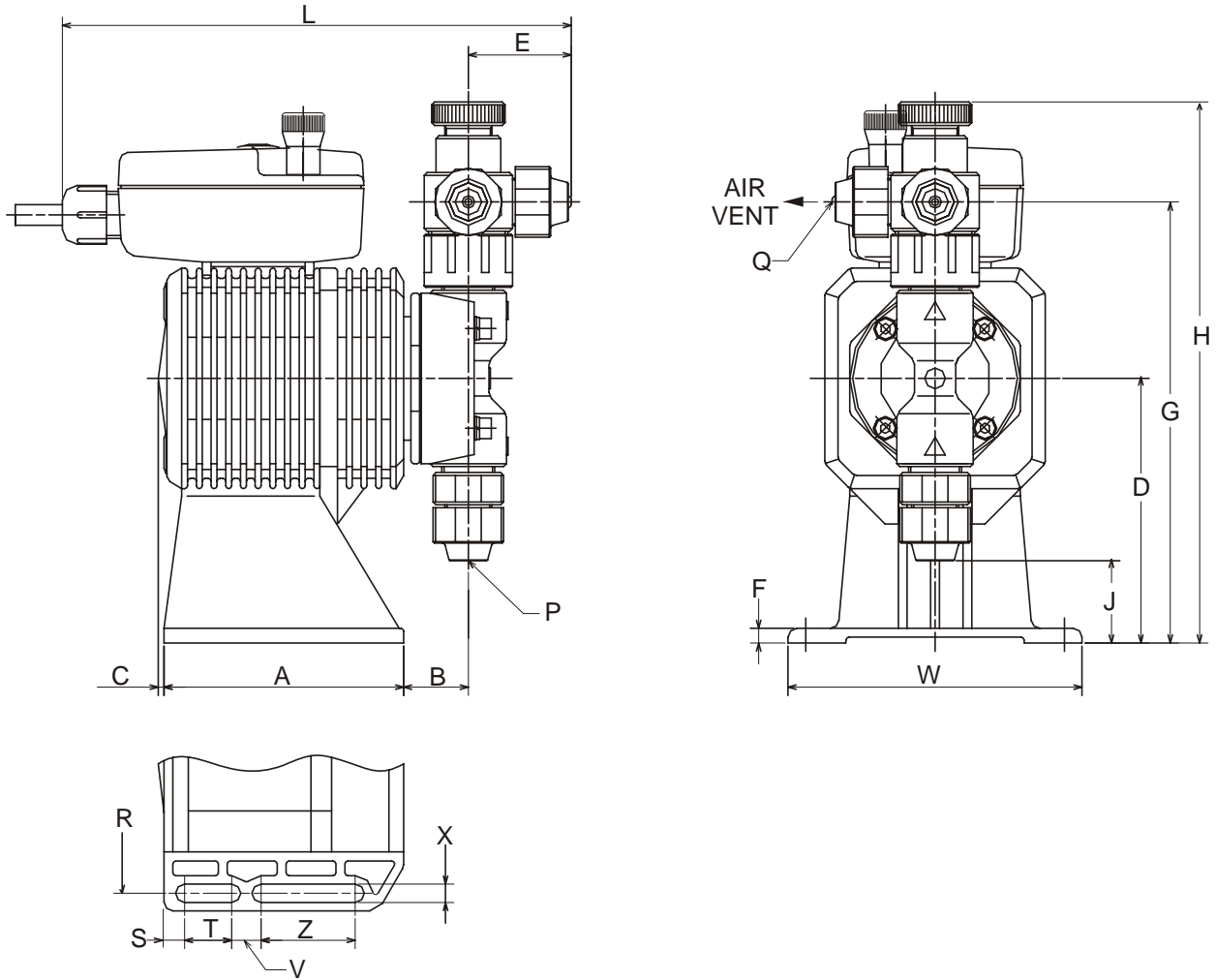


EZ Models with thermoplastic liquid end materials



Model		A	B	C	D	E	F	G	H	J	L	P&O TUBING	W			
EZB	10	3.21	0.87	0.08	3.54	1.46 3.03*	0.20	5.91	7.24	1.02	6.89 8.98*	3/8" O.D.	3.94			
	11													-VC	-PE	
	15													N1	-VE	-TC
	16													N2	-VF	
	20														-PC	
21																
EZB	10	3.21	0.87	0.08	3.54	0.47	0.20	5.96	7.10	1.02	5.75	3/8" O.D.	3.94			
	11													N1	-FC	
	15															
	16															
	20															
21																
EZB	30	3.21	1.02	0.08	3.54	0.87	0.20	6.83	8.05	0.31	6.46	1/2" O.D.	3.94			
	31													N1	-VC	
																-PE
	-PC															
EZB		30	3.21	1.02	0.08	3.54	0.63	0.02	6.73	7.10	0.31	6.22	1/2" O.D.	3.94		
		31													N2	-FC

* Dimension with automatic air vent valve option

Mounting Dimensions	R	S	T	X	V	Z
EZ all variations	3.46	0.28	0.63	0.24	0.39	1.26

All dimensions in inches