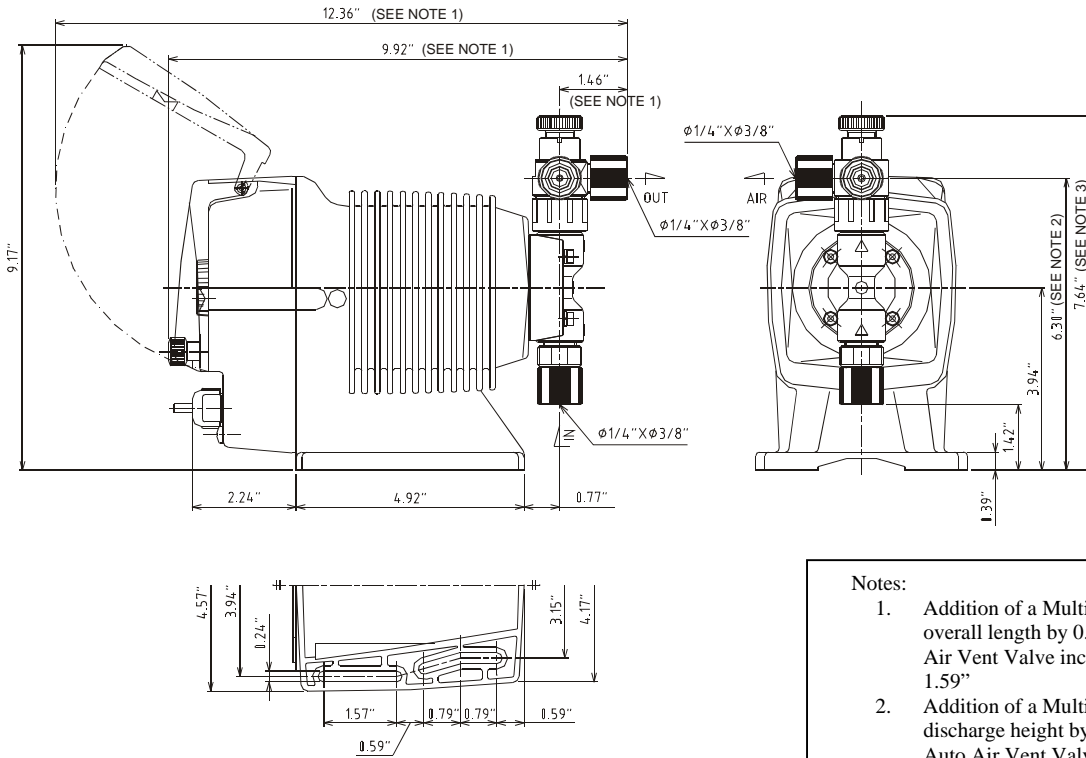


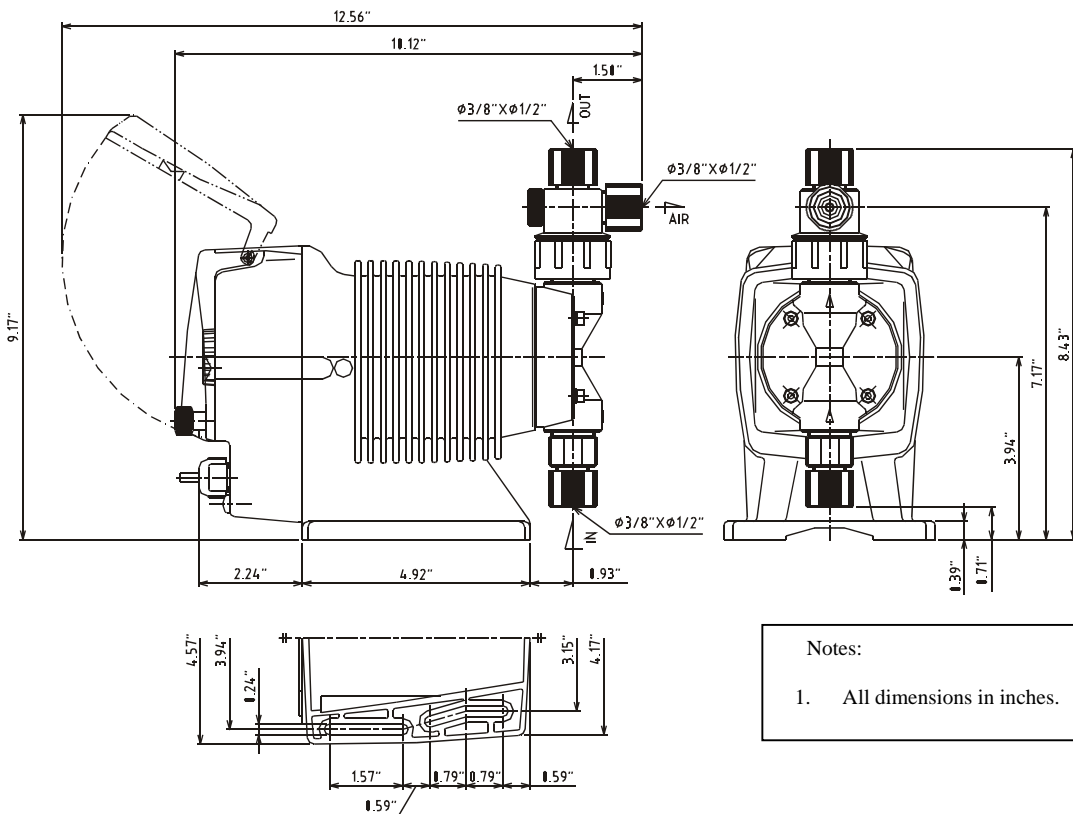
EW Pump Dimensions

EW-10, 11, 15, 16, 20 and 21 Models with thermoplastic liquid end materials



- Notes:
1. Addition of a Multifunction valve increases overall length by 0.37". Addition of an Auto Air Vent Valve increases overall length by 1.59"
 2. Addition of a Multifunction Valve increases discharge height by 0.22". No change for the Auto Air Vent Valve.
 3. Addition of a Multifunction Valve increases overall liquid end height by 1.16". No change for the Auto Air Vent Valve.
 4. All dimensions in inches.

EW-30, 31, 35 and 36 Models with thermoplastic liquid ends



- Notes:
1. All dimensions in inches.