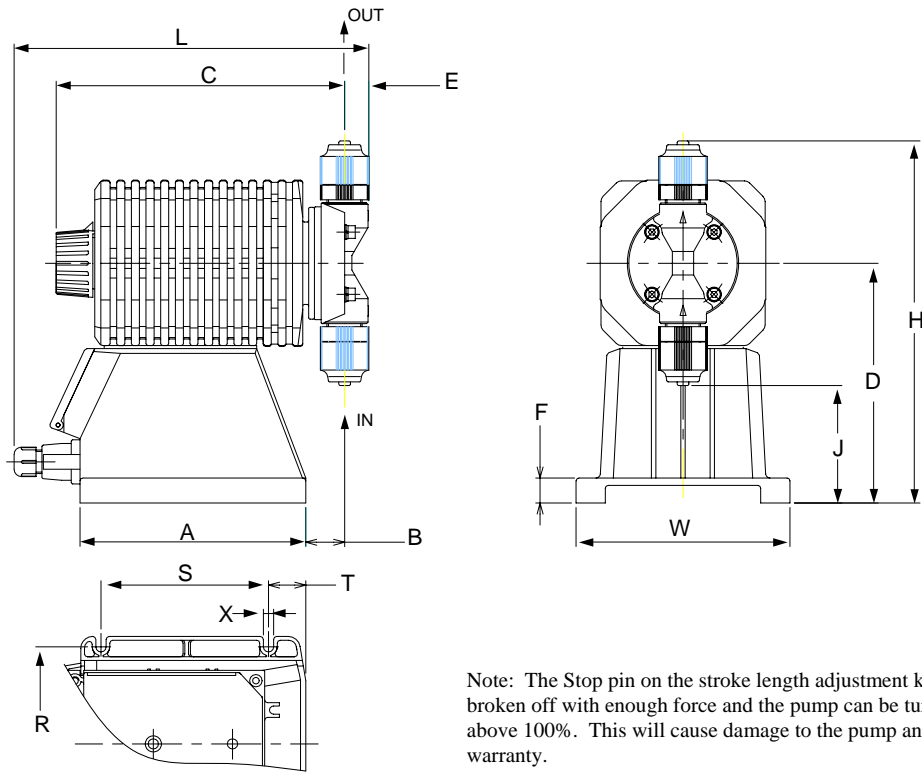


EHE Dimensions



Note: The Stop pin on the stroke length adjustment knob can be broken off with enough force and the pump can be turned up above 100%. This will cause damage to the pump and void the warranty.

Model					A	B	C	D	E	F	H	J	L	W
EHE	30, 31 35, 36	E1	-VC	-VE	6.06	1.04	7.76	6.42	0.65	0.67	9.69	3.15	9.53	5.75
		E2	-PC	-PE										
EHE	45, 46	E1	-VC	-VE	6.06	1.14	7.83	6.42	0.75	0.67	10.00	2.80	9.72	5.75
		E2	-PC	-PE										
EHE	55, 56	E1	-VC	-VE	6.06	1.42	8.13	6.42	0.85	0.67	10.45	2.38	10.12	5.75
		E2	-PC	-PE										
EHE	55, 56	E1 E2	-VM		6.06	1.42	8.13	6.42	0.91	0.67	10.45	2.38	10.17	5.75

Mounting Dimensions	R	S	T	X
EHE all variations	5.20	4.50	1.00	0.28

All dimensions in inches